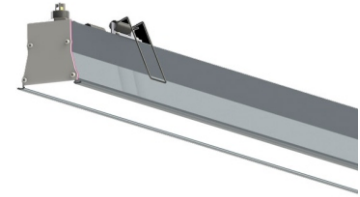


LED_Linear family	IP44	IK05	LED	⊙	T <sub>a</sub> 25	📱	🔊	◀ ▶	🔄	
-------------------	------	------	-----	---	-------------------	---	---	-----	---	--

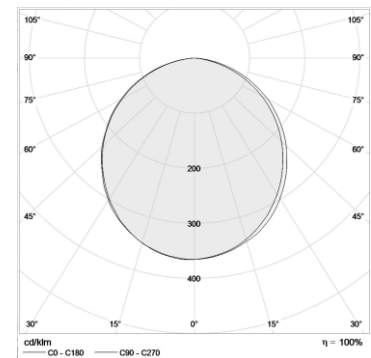
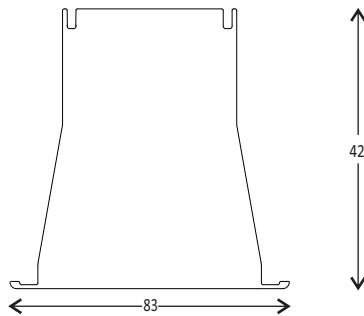
**THE FAMILY OF RECESSED MOUNT (CEILING & WALL) BACK LIGHT LED LINEAR OPERATING AT 48W 220-240 VAC INPUT. DELIVERING OUT STANDING PERFORMANCE OF 4800LM.**

**Technical description**

Recessed linear system of wid dimensions, suitable both for decorative lighting and for grazing light, made of an aluminium anodized profile in matte white finish and a polycarbonate diffuser (or PMMA diffuser), which provide a continuous and homogeneous light line. Colour temperature is 4000 K (natural with) . Class I electrical and IP44 (IP54 just for option) with plug and play connector. Total power: 30 w/m (slave Luminaires for DALI control an option only) with LED converter. Colour rendering index: Ra > 80. Chromaticity tolerance between multiple luminaires of up to 3 MacAdam ellipses.



Dimensions: 1600 x 83 x 74 mm  
 Total power: 48 w  
 Luminaire luminous flux: 4800 lm  
 Luminaire efficacy: 100 lm/w  
 Weight: 2.25 kg



**Application**

- Office
- Bank
- Hospitality
- House

Correlated color temperature: 4000 kelvin  
 Rated median useful life: 50000h L70 at 25°C  
 Luminaire input power: 48 w

**Mounting and installation**

Recessed(ceiling and wall) using spring bracket. Cut-out diameters: 75 mm

Options:

