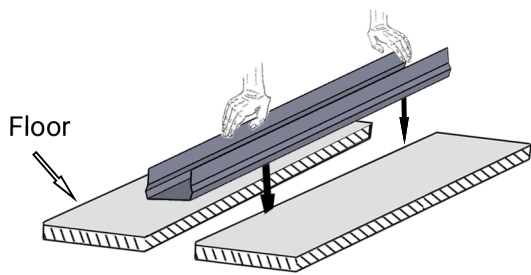


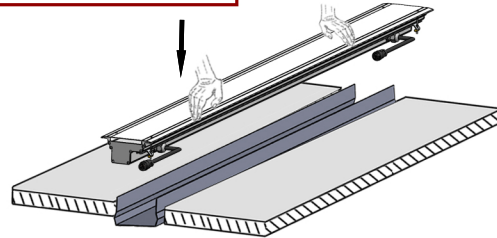
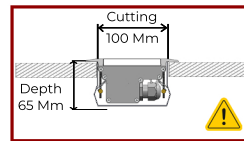
Installation Instructions

PAYDAR IN-GROUND



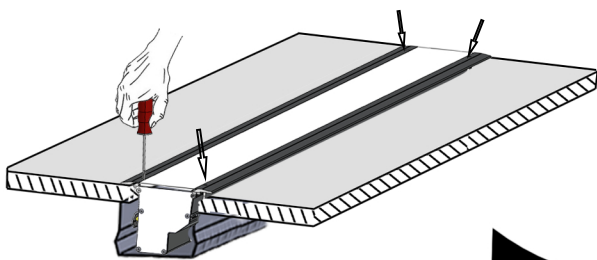
insert a 10 cm back case into the floor

Step 1



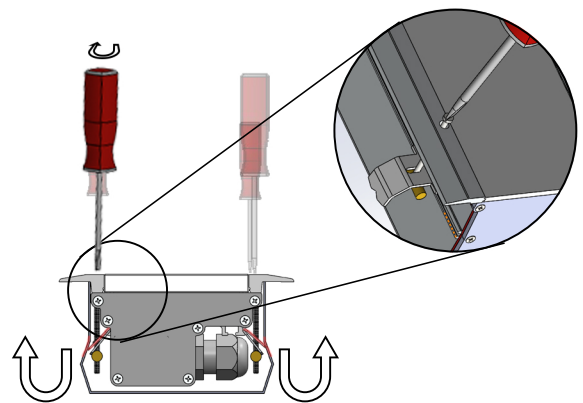
Put light into the back case

Step 2



Fix the light on the back case with the screws

Step 3



Overview

Guaranty conditions:

Dear customer; thank you for faith, (Paydar) has guaranty (replace & repair) if you are using in suitable conditions that putting up in guaranty policy.

Dear customer, please read below items before installation:

1. Pay attention to the supply voltage of product.
2. Check the power supply voltage before installation.
3. Be careful don't connect the Luminaries to 380V.