

# MOONLIGHT 90

**AREND**  
INVESTING IN LIGHT

LED\_Panel family

IP20

IK03



T<sub>a</sub>25

5



THE FAMILY OF STAND PANEL OPERATING AT 90W, 220-240 VAC INPUT.DELIVERING OUTSTANDING PERFORMANCE OF 9000L

## Technical description

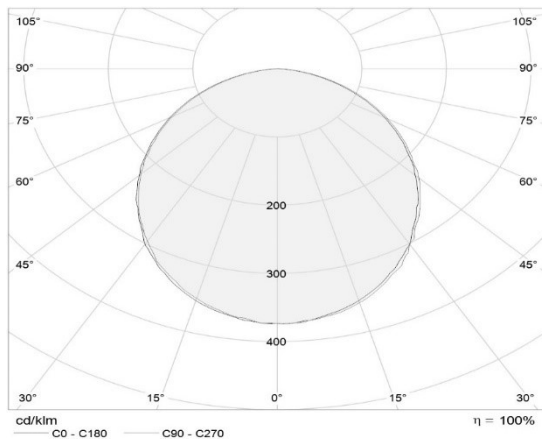
Luminaire was designed to be used white LEDs for illumination purposes can be used as a stand light, Wide and uniform light distribution for decorative application. Panel light luminaire with 90 w, 3000-6000 kelvin LEDs for indoor & outdoor applications. Robust luminaire housings made from iron cast, Diffuser is Silicon sheet with sheet metal as a base. All LEDs are within a three step Macadam ellipse to ensure color consistency. Energy saving is up to 90% in comparison with traditional light sources. Can be fitted as recessed, pendant or surface luminaire using special accessory.

Standard Diameters: 60 & 90 & 120cm



## Application

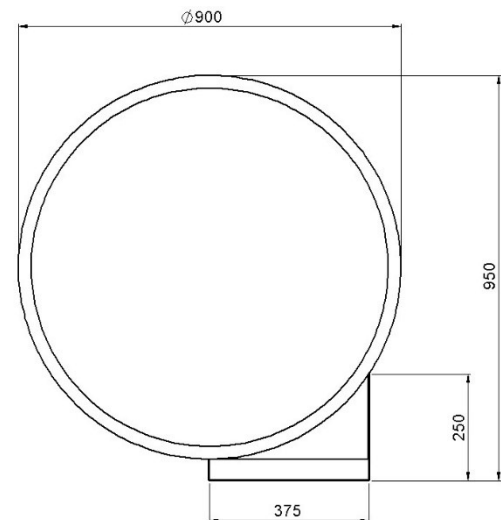
- Office
- Education
- Exhibition
- Hospital



Correlated color temperature: 3000-4000-6000 kelvin  
Rated median useful life: 50000h L70 at 25°C  
Luminaire input power: 90w

## Mounting and installation

The possibility of placing the lamp in a standing position.



Dimensions:  $\Phi$ 900 x 950 mm  
Total power: 90w  
Luminaire luminous flux: 9000lm  
Luminaire efficacy: 100 lm/w  
Weight: 4.5 kg