

LED_Downlight family	IP44	-		-	-						
----------------------	------	---	--	---	---	--	--	--	--	--	--

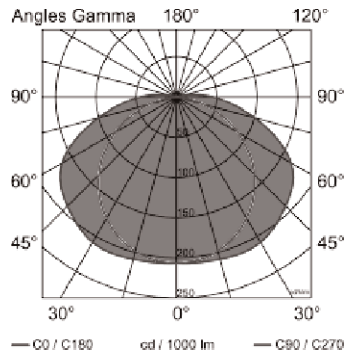
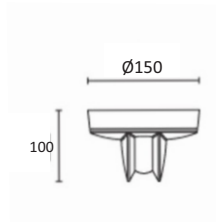
THE FAMILY OF Wall AND CEILING SURFACE MOUNTED LED TRICK LIGHT OPERATING AT 3W 220-240 VAC INPUT. DELIVERING OUT STANDING PERFORMANCE OF 270LM.

Technical description

The led trick lights could be used on the place where you need to focus display such as some corner or some curve. A new method graphic lighting, only for specialists, optical design and highly innovation. the led light could be used for window, the exterior wall of building, parking door etc. The base is made of die-cast aluminium. The installation with wall and ceiling fixture plate. Colour rendering index: Ra > 80. Chromaticity tolerance between multiple luminaires of up to 3 MacAdam ellipses.



Dimensions: Ø150 x 100 mm
 Total power: 3 w
 Luminaire luminous flux: 270 lm
 Luminaire efficacy: 90 lm/w
 Weight: 0.8 kg



Application

- Hotel
- Coffee Shop
- Fashion

Correlated color temperature: 4000 kelvin
 Rated median useful life: 50000h L70 at 25°C
 Luminaire input power: 3 w

Mounting and installation

Wall and ceiling mounted by a stainless steel fixture plate.

Options:

