

MIRDAMAD WIDE

Linear Family IP20 IK05   $T_a 25$     

THE FAMILY OF SURFACE MOUNT AND PENDANT LINEAR OPERATING AT 25 W/M, 220-240 VAC INPUT. DELIVERING OUT STANDING PERFORMANCE OF 2500LM/M.

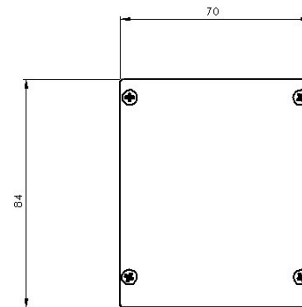
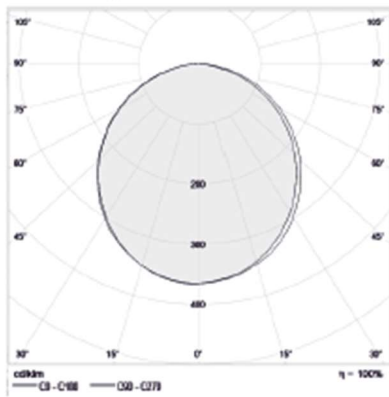
Technical description

Surface mount and pendant linear system for indoor general lighting. The lumen line is a linear system of LED luminaires which can be integrated in most ceiling types to provide a discreet flexible general lighting solution for commercial and institutional environments such as offices and classrooms. Luminaire for indoor architectural linear lighting with warm white LEDs (LED color temperature is 3000 – 6000 kelvin). A recessed LED luminaire, flat direct LED with the top of the optical PC diffuser screen (PS or PMMA an option) and extruded powder coating hard anodizing aluminum body, with aluminum end caps complete with silicone seals. Symmetric optic. Class I electrical and IP20 (IP54 just for option) with plug and play connector. Total power: 25 w/m, slave luminaire for DALI control (an option only) with LED converter. Chromaticity tolerance (initial Macadam: 3). Color rendering $R_a > 80$. This product can be produced in any sizes



Application

- Corridors
- Office
- General
- Parking



Correlated color temperature: 3000 – 6000 kelvin
Rated median useful life: 50000h L70 at 25°C Luminaire
input power: 25 w/m

Dimensions: 1000 x 70 x 84 mm
Total power: 25 w
Luminaire luminous flux: 2500 lm
Luminaire efficacy: 100 lm/w
Weight: 2 kg

Installation and Mounting

Pendant and surface mount using the accessories to be ordered separately.